

Atera SIGNO

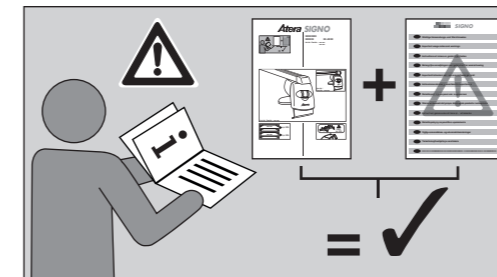
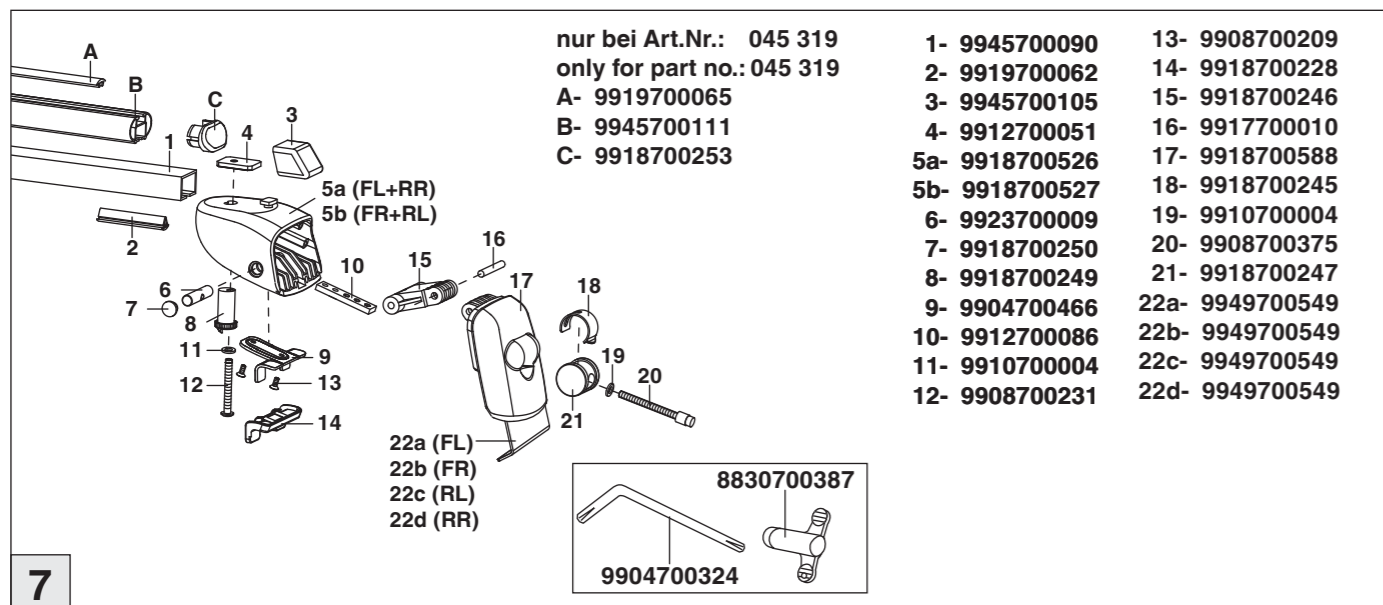
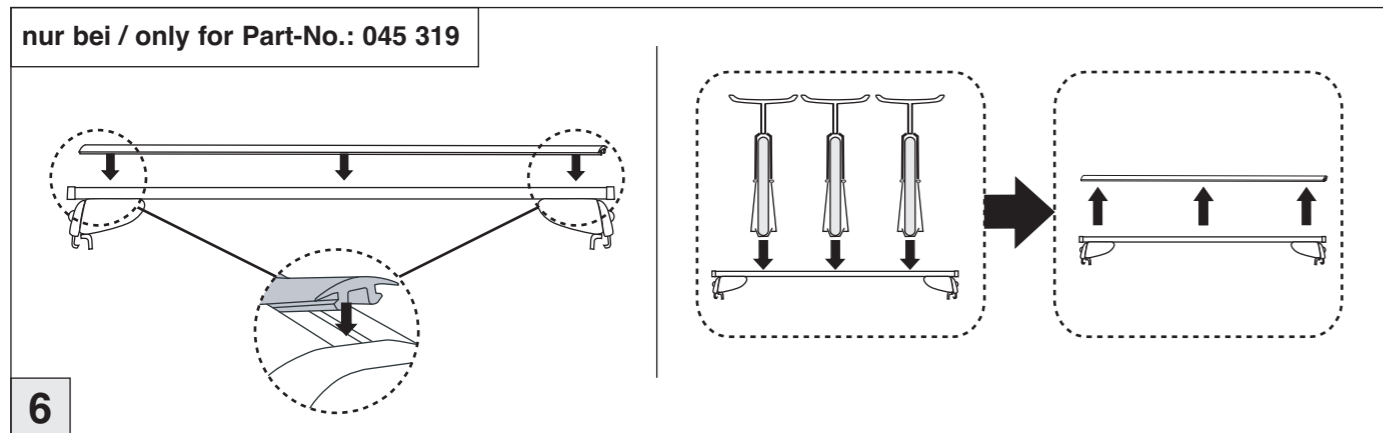
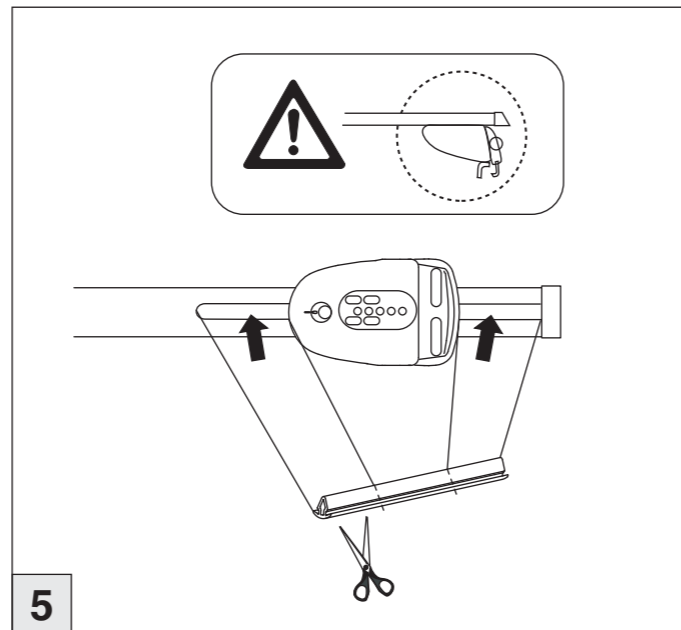
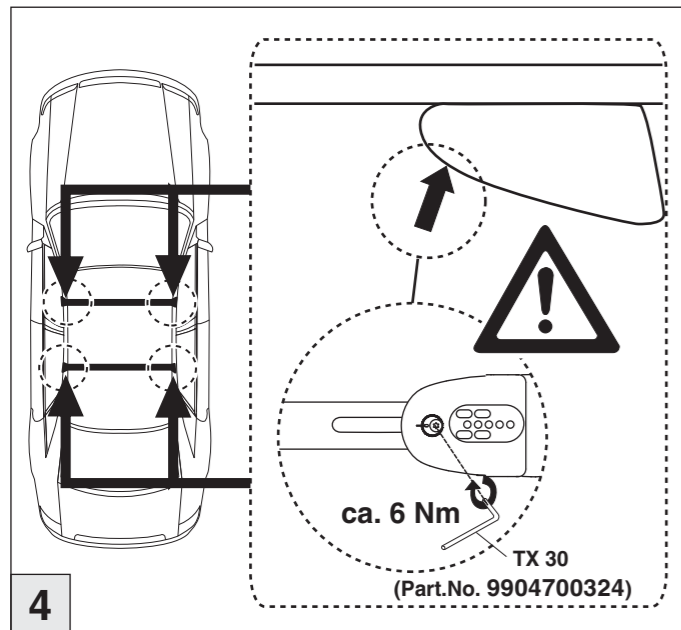
Ford Fiesta Active Reling
Ford Focus Active Lim. Reling

05/2018 –
01/2019 –

Ford Mondeo Turnier Reling
Ford Mondeo Turnier Hybrid Reling

01/2015 –
05/2019 –

Atera SIGNO



Ford

Mondeo Turnier 01/2015 –
(mit Reling / with rail / avec barres de toit)

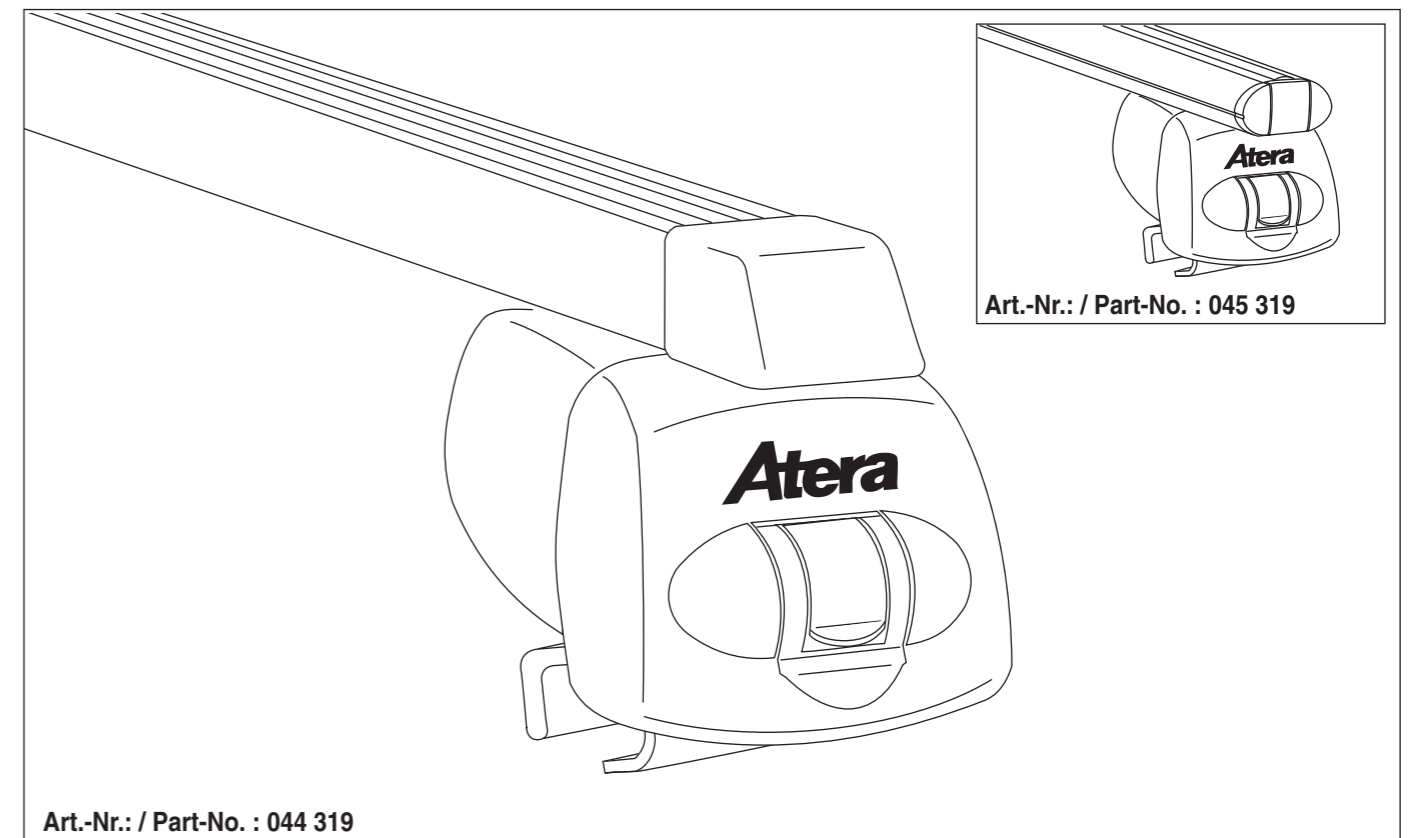
Mondeo Turnier Hybrid 05/2019 –
(mit Reling / with rail / avec barres de toit)

Fiesta Active 05/2018 –
(mit Reling / with rail / avec barres de toit)

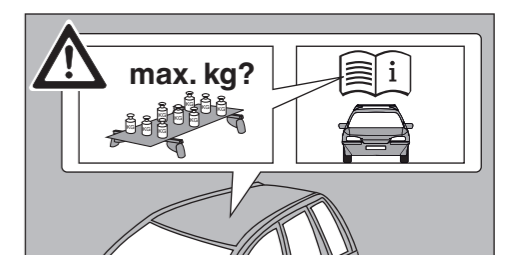
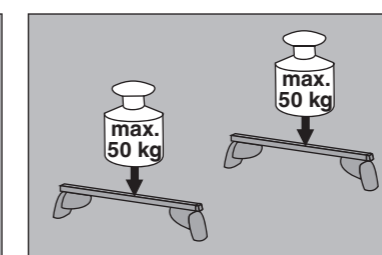
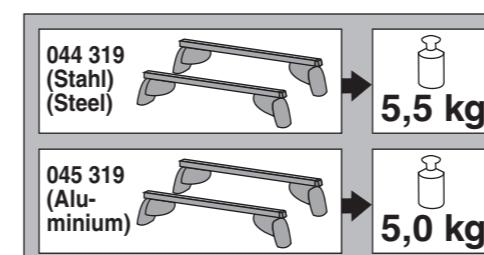
Focus Active Lim. 01/2019 –
(mit Reling / with rail / avec barres de toit)

Art.-Nr. / Part-No. : 044 319

Art.-Nr. / Part-No. : 045 319



Art.-Nr. / Part-No. : 044 319



Atera
MADE IN GERMANY

Atera GmbH
Im Herrach 1
D-88299 Leutkirch
Internet: www.atera.de



© ATERA GmbH
Ref.-Nr.: 044 319_096594431900_992570050200
Ref.-Nr.: 045 319_096594531900_992570050200
Stand/State: 24/07/2019 – Rev 00 Ver 03

Atera SIGNO

Ford Fiesta Active Reling
Ford Focus Active Lim. Reling

05/2018 –
01/2019 –

Ford Mondeo Turnier Reling
Ford Mondeo Turnier Hybrid Reling

01/2015 –
05/2019 –

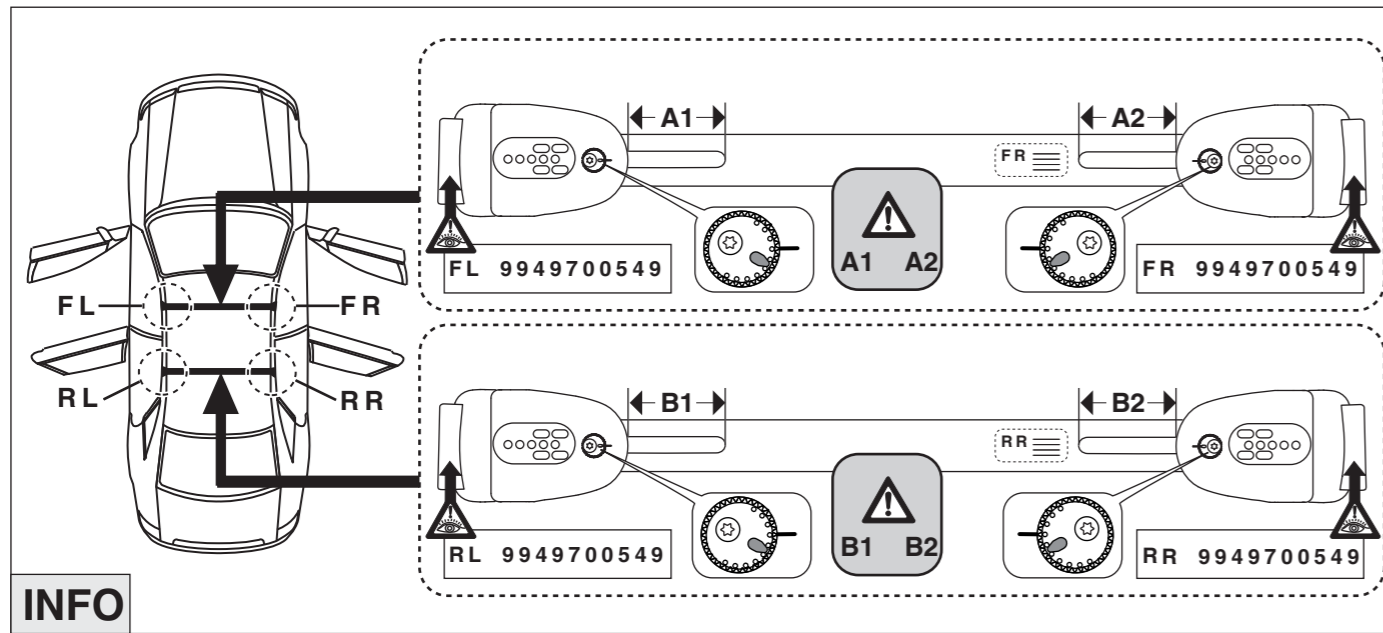
Atera SIGNO

Ford Fiesta Active Reling
Ford Focus Active Lim. Reling

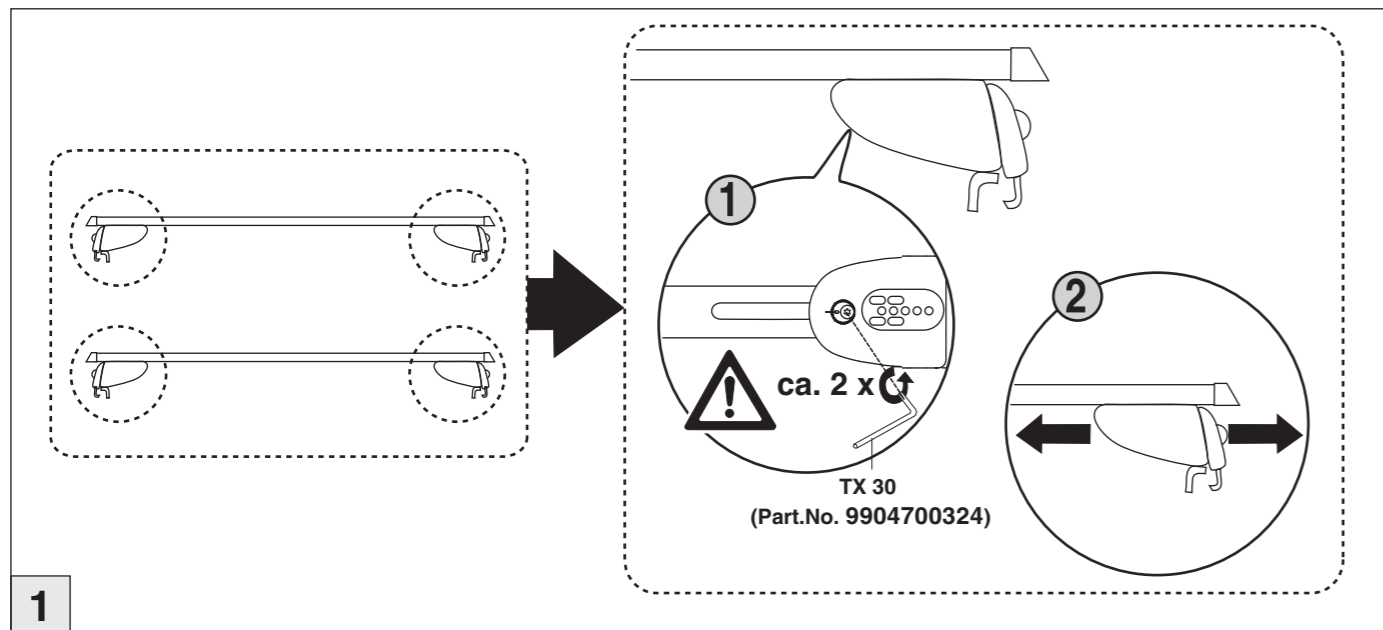
05/2018 –
01/2019 –

Ford Mondeo Turnier Reling
Ford Mondeo Turnier Hybrid Reling

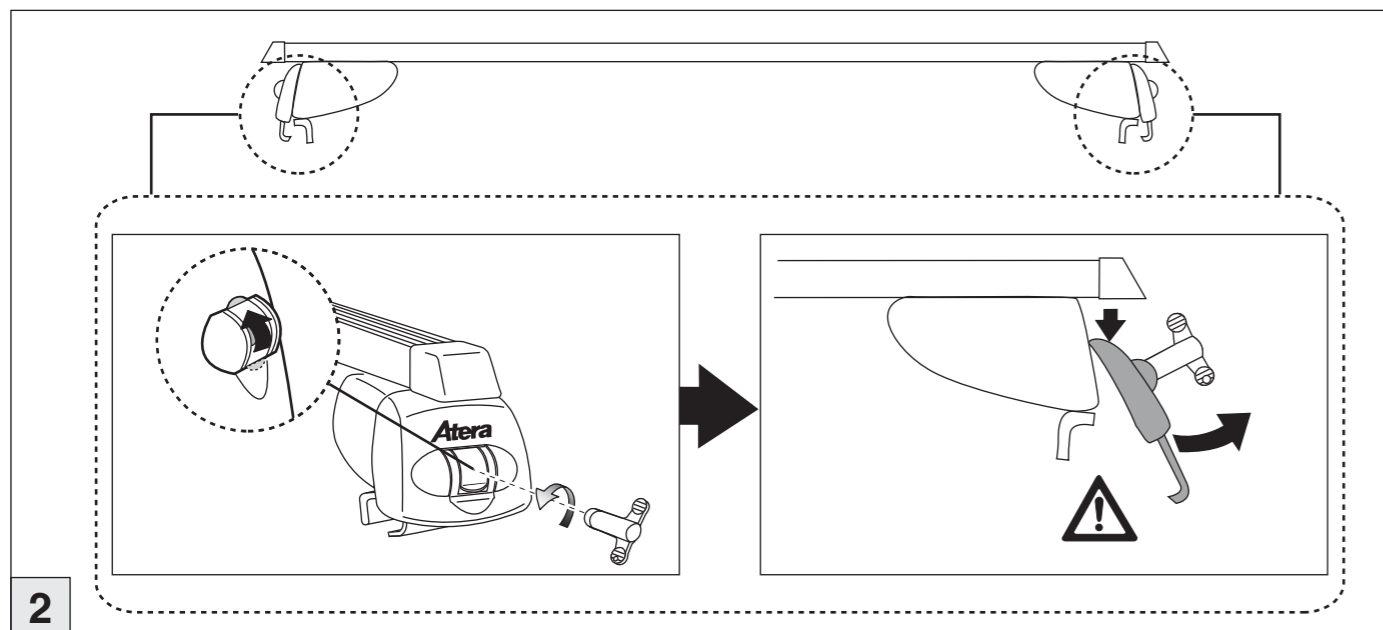
01/2015 –
05/2019 –



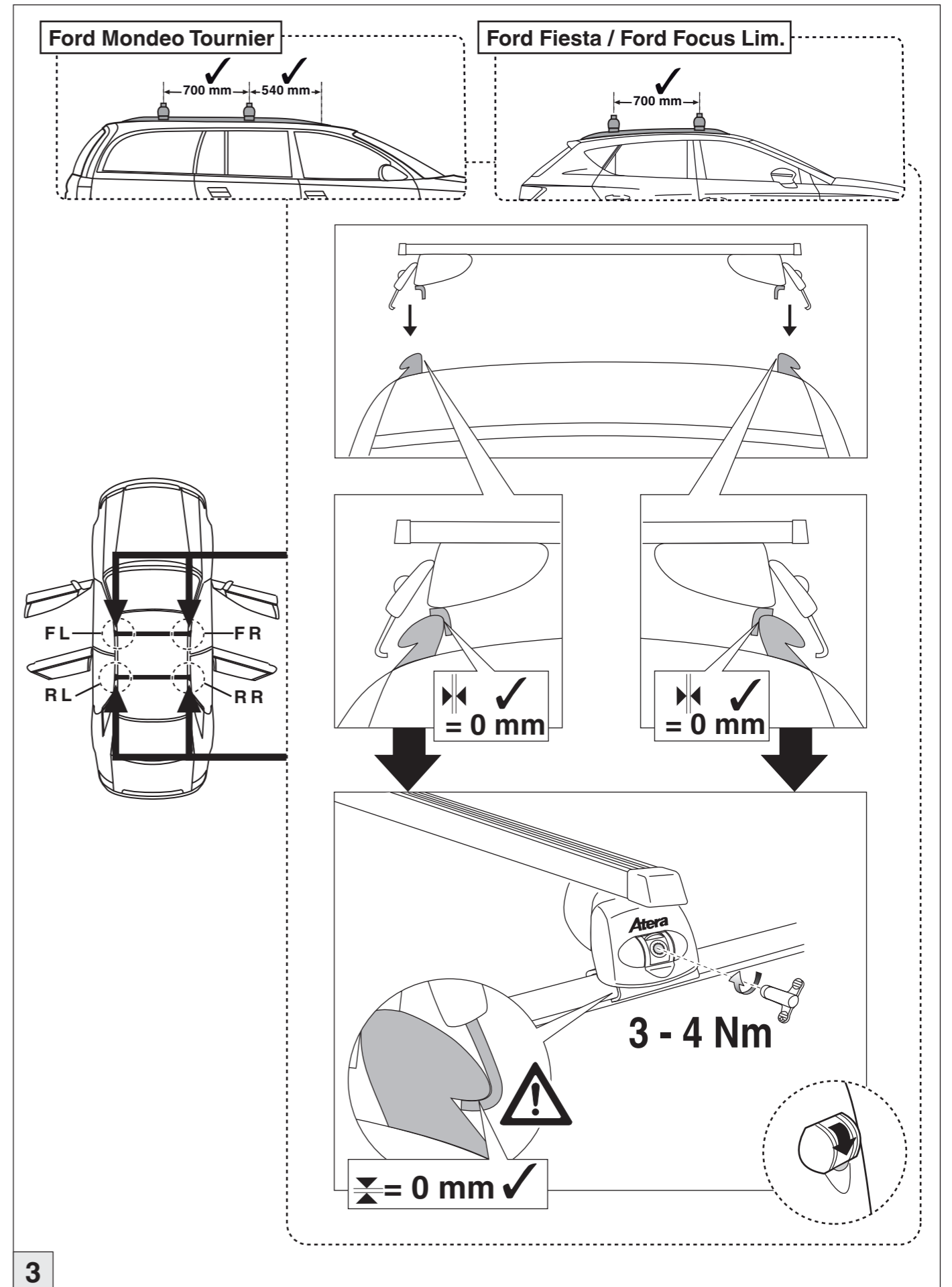
INFO



1



2



3